

Hakai Labs CVD LED

The Hakai Labs / Danesi Designs DDE-0031-00 CVD (Color Vision Deficiency) LED is a 3528 SMD Red/Green LED that was custom designed and manufactured for the inclusivity of color deficient individuals without any sacrifice to those without a color deficiency. A small color shift was made to the wavelength of the green side of the LED to push it closer to blue in the visible spectrum. This slight shift is enough to enable color vision deficient individuals to fully distinguish between the red and the custom green/teal colors emitted by this LED.

KiCAD symbols, footprints, and 3D files are all available on <https://www.danesidesigns.com>.

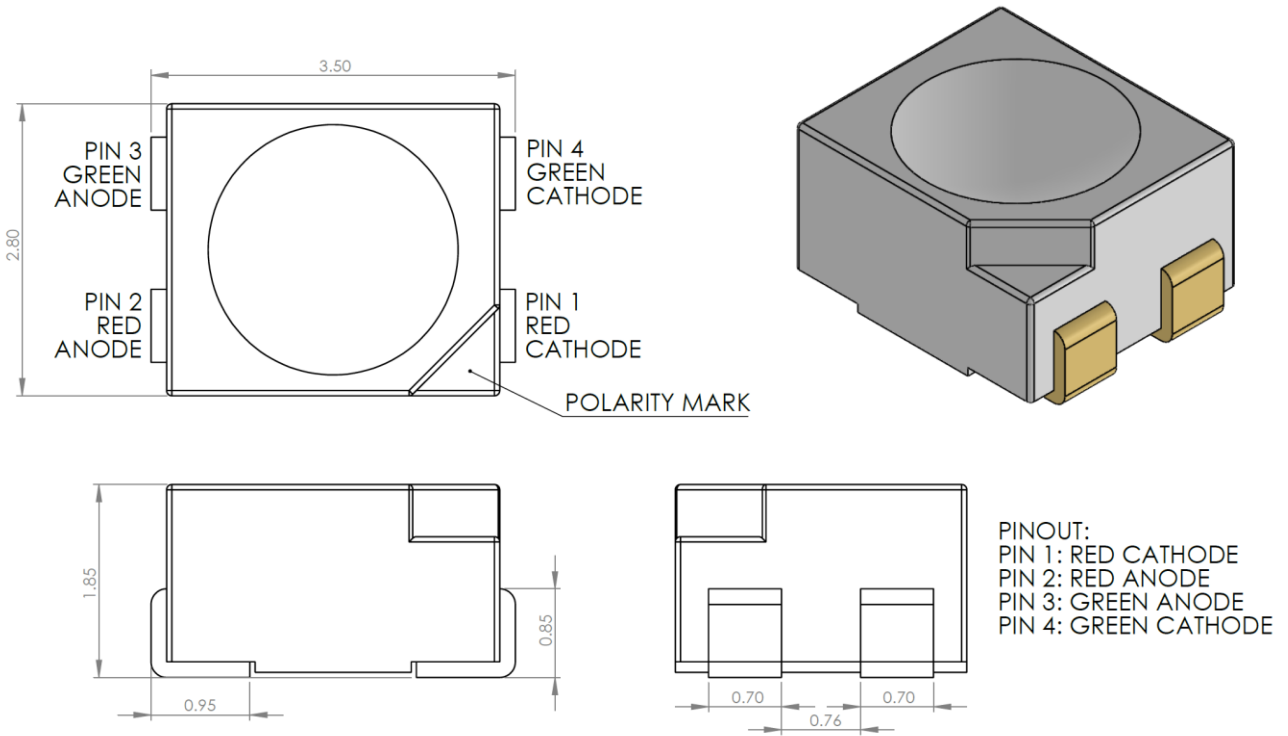
Thank you so much for your support in bringing this CVD LED to market in your modules/projects.

Technical Specifications

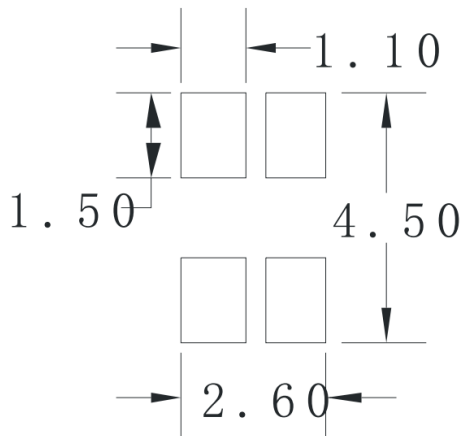
	Red	Custom Teal
Part Number	DDE-0031-00	
Wavelength (nm)	630	505
Typical Forward Voltage (v)	2.1	3.8
Maximum Forward Voltage (v)	2.5	4.5
Minimum Luminous Intensity (mcd)	900	900
Typical Luminous Intensity (mcd)	1800	2800
Constant Forward Current (ma)	30 (recommended 20)	
Peak Forward Current (ma) (Duty 1/10 @1KHZ)	100	
Power Dissipation (mw)	78	
Reverse Voltage (v)	5	
Operating Temperature (deg C)	-40 to +80	
Storage Temperature (deg C)	-40 to +85	
Lead Soldering Temperature (deg C)	Max.260±5°C for 3 sec Max. (1.6mm from the base of the epoxy bulb)	



Package Configuration and Internal Schematics



Recommended Landing Pattern



Notes:

1. All dimensions are in millimeters
2. Tolerance is ± 0.25 (0.01") unless otherwise noted.