

Hakai Labs CVD Red LED

The Hakai Labs / Danesi Designs Red CVD LED is a custom-manufactured single-color LED that maintains the same precise wavelength, brightness, and power as our bi-polar Red/Green CVD LED, ensuring consistent and reliable performance. Ideal for applications requiring only the red side of the CVD LED.

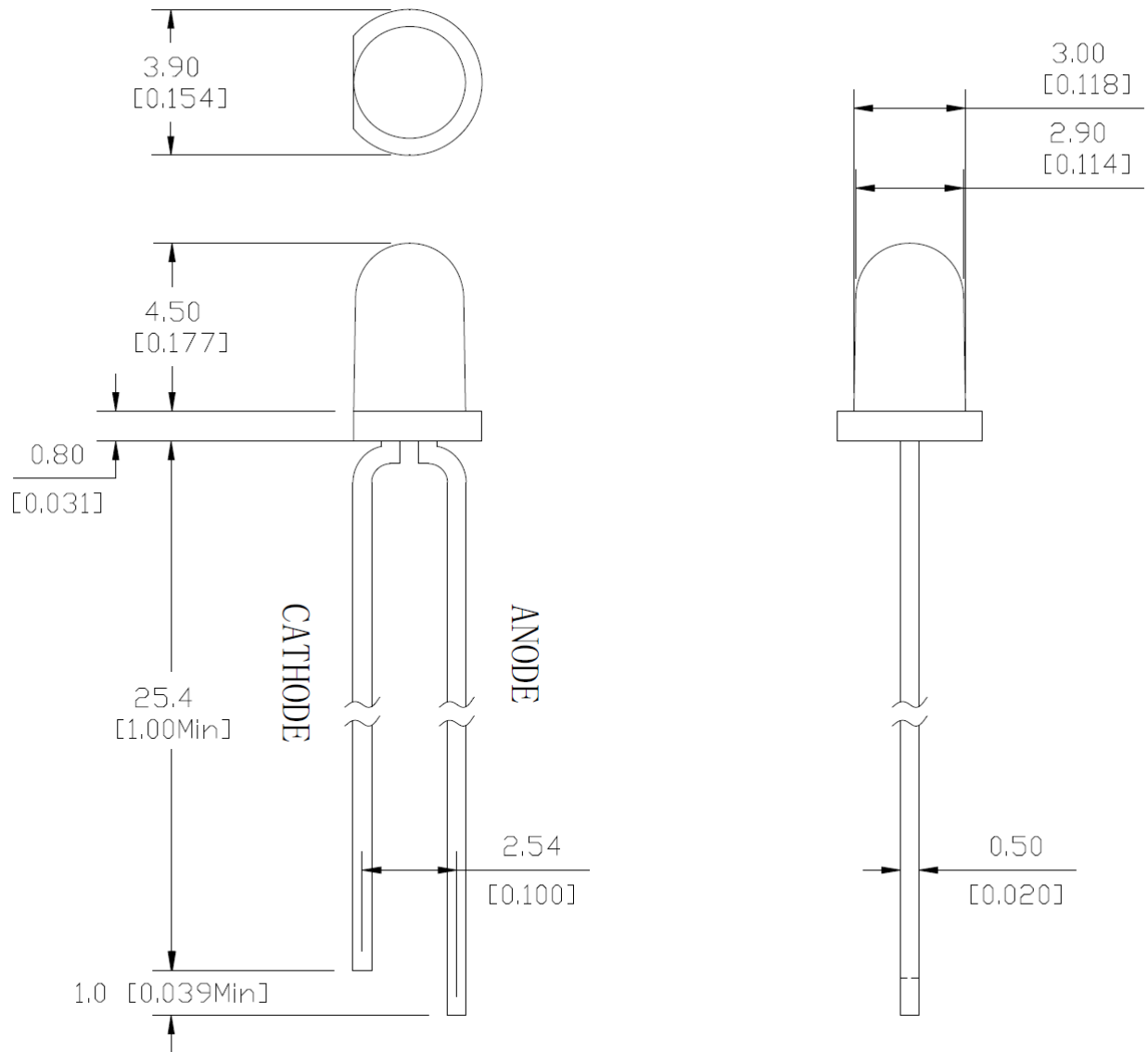
KiCAD symbols, footprints, and 3D files are all available on <https://www.danesidesigns.com>.

Thank you so much for your support in bringing this CVD LED to market in your modules/projects.

Technical Specifications

Part Number	DDE-0018-00
Wavelength (nm)	630 (RED)
Typical Forward Voltage (v)	2.1
Maximum Forward Voltage (v)	2.5
Minimum Luminous Intensity (mcd)	900
Typical Luminous Intensity (mcd)	1800
Constant Forward Current (ma)	30 (recommended 20)
Peak Forward Current (ma) (Duty 1/10 @1KHZ)	150
Power Dissipation (mw)	65
Reverse Voltage (v)	5
Operating Temperature (deg C)	-40 to +80
Storage Temperature (deg C)	-40 to +85
Lead Soldering Temperature (deg C)	Max.260±5°C for 3 sec Max. (1.6mm from the base of the epoxy bulb)

Package Configuration and Internal Schematics



Notes:

1. All dimensions are in millimeters (inches)
2. Tolerance is ± 0.25 (0.01") unless otherwise noted.